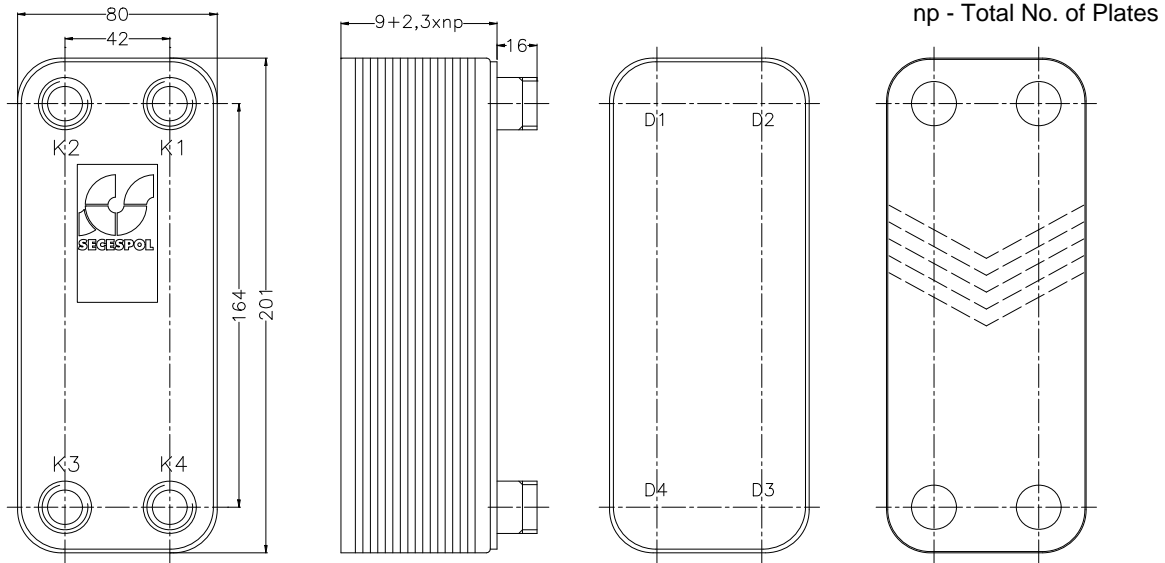


SECESPOL HEAT EXCHANGERS TECHNICAL DATA SHEET

LA14 - 40



WORKING CONDITIONS:

| | |
|------------------|------------|
| Max. Pressure | |
| Copper Brazed | 3.0 MPa |
| Nickel Brazed | 1.6 MPa |
| Max. Temperature | |
| Copper Brazed | 230 deg.C |
| Nickel Brazed | 350 deg.C |
| Min. Temperature | |
| Copper Brazed | -195 deg.C |
| Nickel Brazed | -160 deg.C |

STANDARD OF CONNECTIONS LOCATION: (Counter-Flow)

- K1 - Inlet Hot Side
- K2 - Outlet Cold Side
- K3 - Inlet Cold Side
- K4 - Outlet Hot Side

DESIGN DATA:

| | |
|---------------------|--------------------|
| Heat Transfer Area | |
| Type | Corrugated Plate |
| Size | 0.5 m ² |
| Hot Side Volume | 0.4 l |
| Cold Side Volume | 0.4 l |
| Weight | 2.6 kg |
| Total No. of Plates | 41 |

WORLDWIDE STANDARDS:

SECESPOL products are manufactured in accordance with ISO 9001:2000 and built to the highest standards and to the world's most demanding codes: PED 97/23/EC

CONNECTION TYPES:

| | |
|-----------------|-----------------|
| K1, K2, K3, K4: | |
| G 1/2" | Internal Thread |
| G 1/2", G 3/4" | External Thread |
| ID: 18; 22 mm | Sweat |

SECESPOL

MATERIALS:

| | |
|--------------------|---|
| Heat Transfer Area | 00H17N14M2 [H17N13M2T, 1H18N9T, 0H18N9] |
| Thread Connection | 00H17N14M2 [H17N13M2T, 1H18N9T, 0H18N9] |
| Sweat Connection | 00H17N14M2 [H17N13M2T, 1H18N9T, 0H18N9] |
| Soldering Material | Cu99.95B, Ni |

SECESPOL Sp. z o.o., ul. Grunwaldzka 339, 80-309 Gdansk Poland
tel.: +48 58 5523287, fax: +48 58 5521412, info@secespol.pl, www.secespol.pl